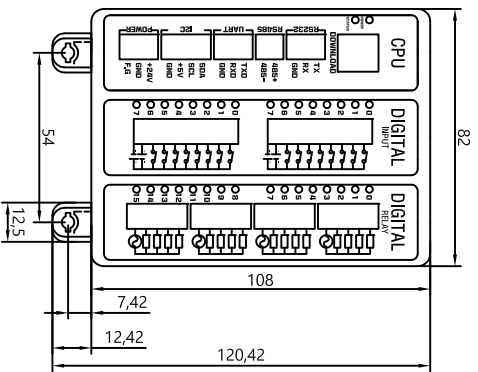
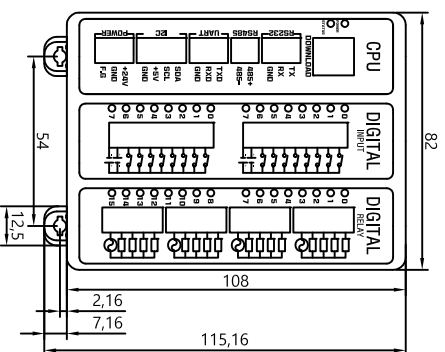


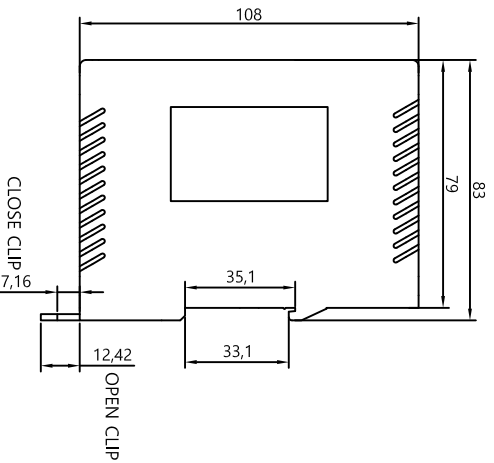
[FRONT / OPEN CLIP]



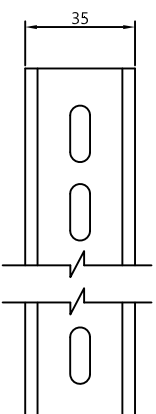
[FRONT / CLOSE CLIP]



[SIDE DIMENSION]



[DIN RAIL DIMENSION]



NOTE

CLOSE CLIP
7.16

OPEN CLIP
12.42

TITLE

MPA/MPANO-16A16(RT) 치수도면

DRWG.

DESIGN

CHEK

APPR

DATE

PART

Dimension

PROJECT

DWG NO.

CUSTOMER

ILOGICS inc.

TYS

01

SIGN

DATE

REVISION

CHECK