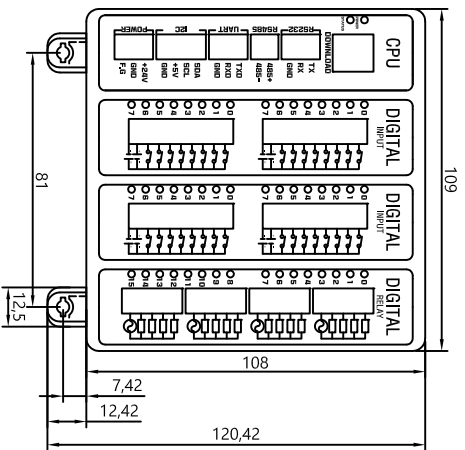
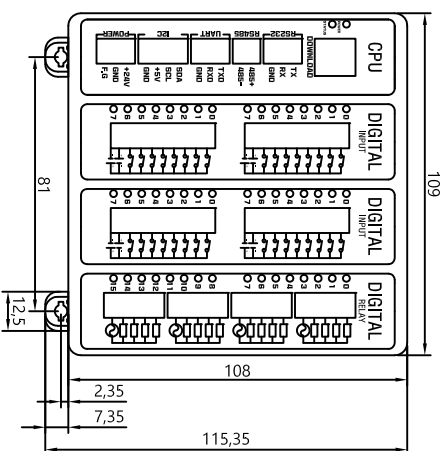


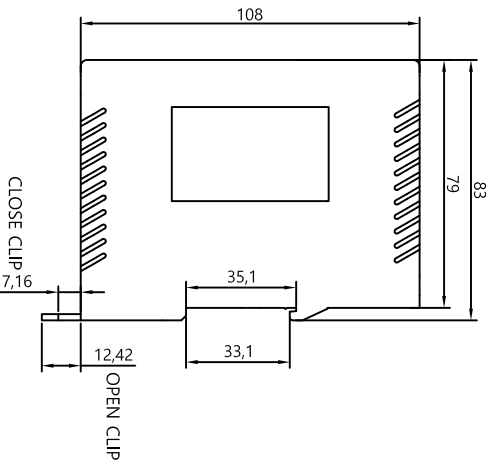
[ FRONT / OPEN CLIP ]



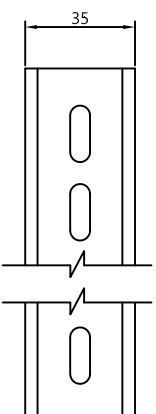
[ FRONT / CLOSE CLIP ]



[ SIDE DIMENSION ]



[ DIN RAIL DIMENSION ]



NOTE

TITLE MPA/MPANO-32A16(RT) 치수도면

DRWG.

DESIGN

CHEK

APPR

DATE

PART Dimension

PROJECT

CUSTOMER

ILOGICS inc.

DWG NO.

TYS

01

SIGN

DATE

REVISION

CHECK