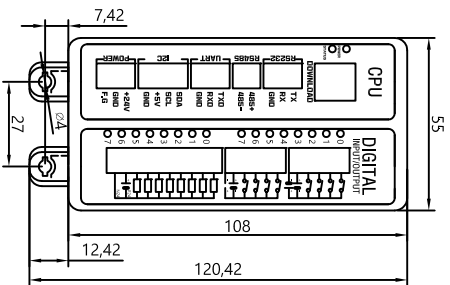
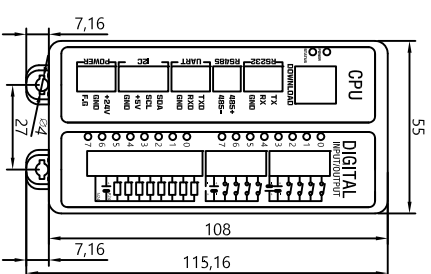


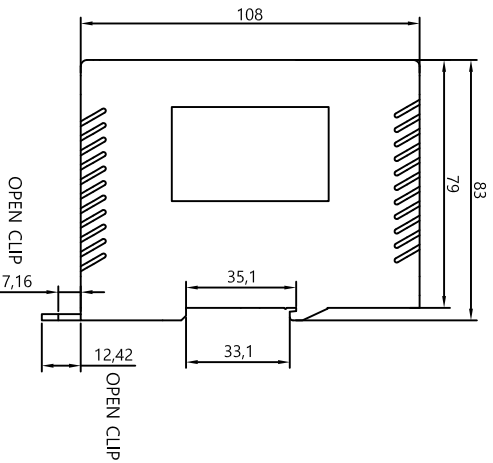
[FRONT / OPEN CLIP]



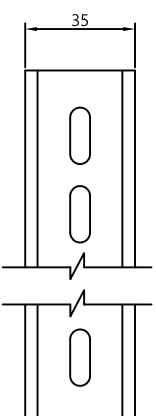
[FRONT / CLOSE CLIP]



[SIDE DIMENSION]



[DIN RAIL DIMENSION]



NOTE

SIGN		DATE	REVISION	CHECK	TITLE				MPA/MPANO-8A8T 치수도면	DRWG.	DESIGN	CHEK	APPR.	DATE
SIGN		DATE	REVISION	CHECK	PART				Dimension					
SIGN		DATE	REVISION	CHECK	PROJECT					ILOGICS inc.				DWG NO.
SIGN		DATE	REVISION	CHECK	CUSTOMER									TYS
														01